

Spin-On Breathers

G8 Dualglass Particulate Breathers + Adapters

Control solid contaminant ingress with high capacity, high efficiency pleated glass elements. Spin-On Breathers combine ease of installation and adaptability to prevent airborne contamination and extend the life of other filters in your system.



hyprofiltration.com/Breathers



Contamination Prevention 101.

Fluid contamination is the root cause of most hydraulic system failures and while most systems today utilize oil filters, it is not uncommon for airborne contamination to go overlooked altogether. By preventing airborne contamination ingress, Spin-On Breathers help reduce strain on system filters to extend the life of your fluids and protect your critical components.

Plug and play.

With common threaded and bayonet style adapters and numerous media options, Spin-On Breathers are a quick way to replace ineffective filler/breather caps right out of the box.



Total Systems Cleanliness.

Combining Spin-On Breathers with other Hy-Pro Fluid Contamination Solutions will yield a clean, healthy, and reliable hydraulic or lubrication system.

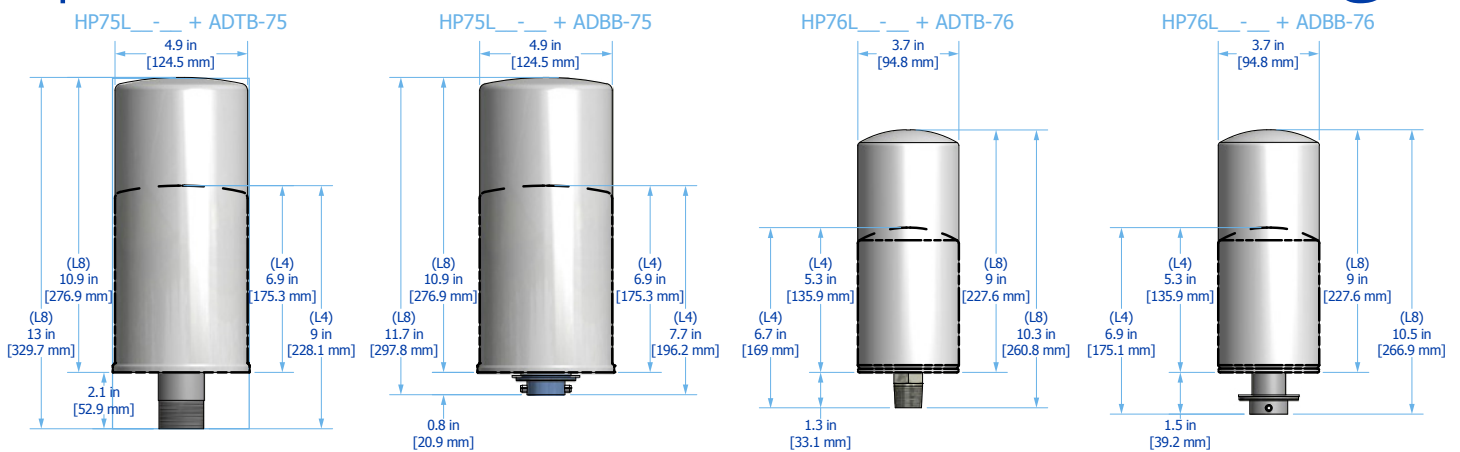


Spin-On Breather Adapters



Adapter Model	ADBB-75	ADBB-76	ADTB-75	ADTB-76	ADTB-76V
Material of Construction	Aluminum	Aluminum	Plated steel	Plated steel	Plated steel
Overall Length	2.58" (65.53 mm)	2.38" (60.45 mm)	3.70" (93.98 mm)	1.75" (44.45 mm)	2.48" (62.99 mm)
Element Thread Length	0.70" (17.78 mm)	0.70" (17.78 mm)	0.50" (12.7 mm)	0.30" (7.62 mm)	0.35" (8.89 mm)
Element Connection	1½" - 16 UN (HP75 series spin-on)	1" - 12 UNF-2A (HP76 series spin-on)	1½" - 16 UN (HP75 series spin-on)	1" - 12 UNF-2A (HP76 series spin-on)	1½" - 16 UNF (HP76 series spin-on)
Reservoir Connection	1.87" pin length 1.40" diameter boss	1.87" pin length 1.40" diameter boss	1¼" NPT	¾" NPT	¾" NPT
Seals	Nitrile (Buna)	Nitrile (Buna)	Nitrile (Buna)	Nitrile (Buna)	Nitrile (Buna)

Spin-On Breather Installation Drawings



Spin-On Breather Part Number Builder

HP - -B
Flow Rate Media Selection

Flow Rate

75L4 290 gpm (1097 lpm), 39 cfm (66 m³/h)
75L8 290 gpm (1097 lpm), 39 cfm (66 m³/h)
76L4 212 gpm (802 lpm), 28 cfm (47 m³/h)
76L8 212 gpm (802 lpm), 28 cfm (47 m³/h)

Media Selection

G8 Dualglass

1M 0.1µ absolute air filtration
3M 0.3µ absolute air filtration
6M 0.6µ absolute air filtration
12M 1.0µ absolute air filtration
25M 2.2µ absolute air filtration